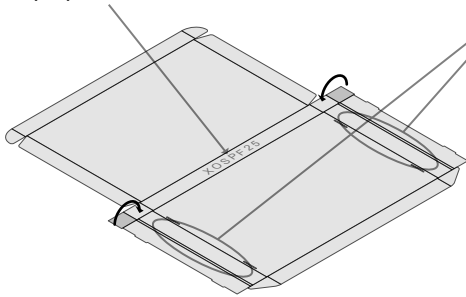


IMPORTANT:

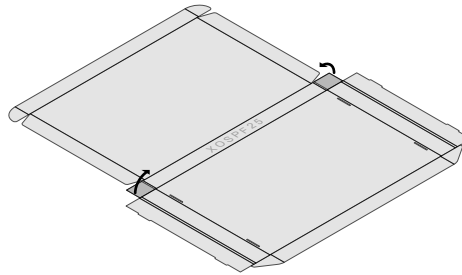
Make sure box is folded so that pinprick code is on inside of box.

AND

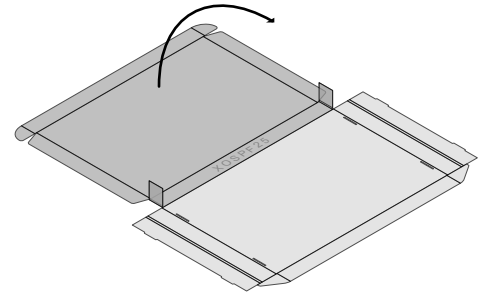
Pre-fold these creases before assembly.



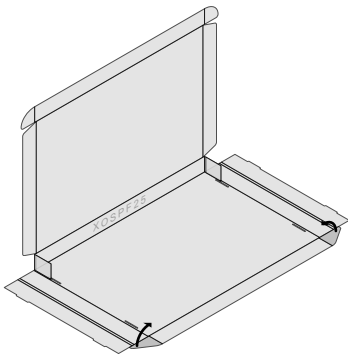
1. Fold tab ends flat to form double-layer tabs.



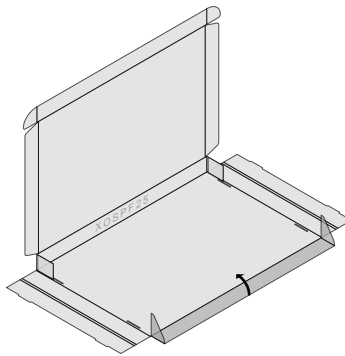
2. Fold tabs up, 90 degrees.



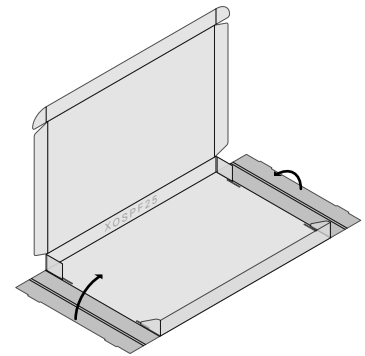
3. Fold back and lid panels forward, 90 degrees.



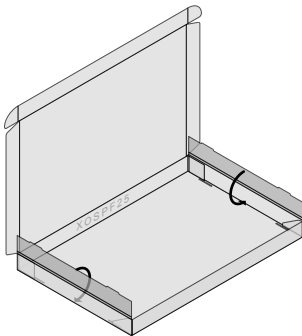
4. Fold front tabs up, 90 degrees.



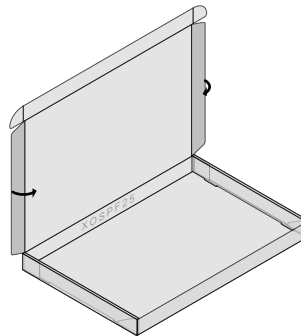
5. Fold front panel up, 90 degrees.



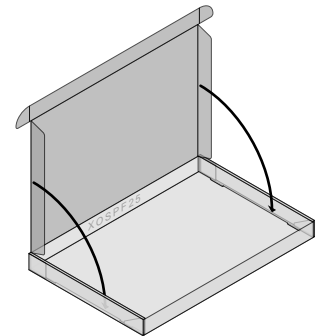
6. Fold side panels up, 90 degrees.



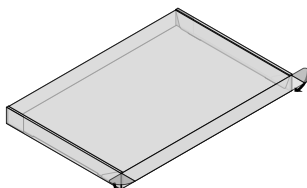
7. Fold tabbed side panels into box, 180 degrees, until tabs lock into place.



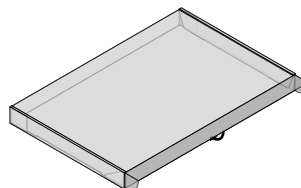
8. Fold side tabs of lid in, 90 degrees.



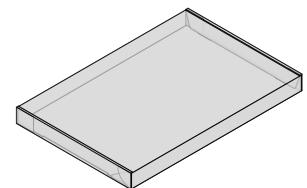
9. Fold lid down, 90 degrees, guiding side tabs into the box.



10. Fold lid tabs down, 90 degrees.



11. Fold front lid panel down, 90 degrees, tucking the tabs into the slots.



Assembled Box