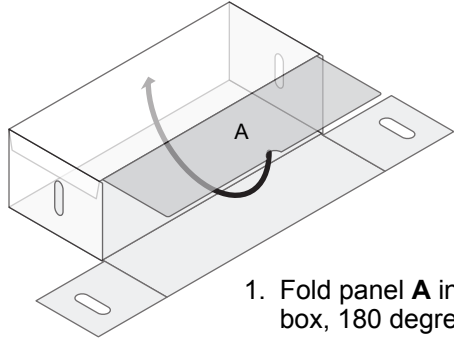
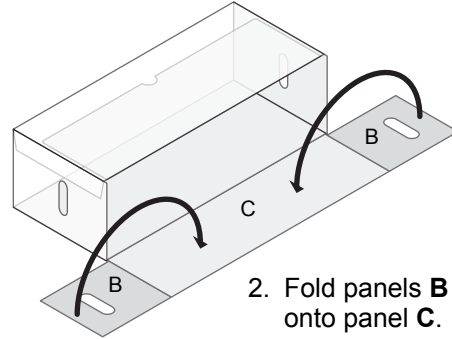


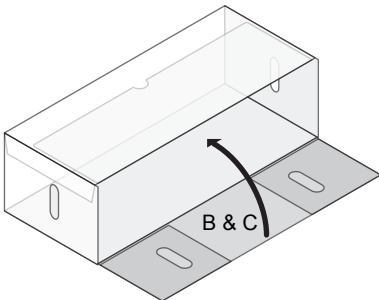
### BOX



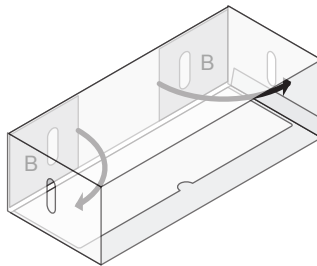
1. Fold panel **A** into the box, 180 degrees.



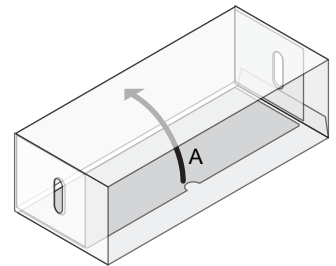
2. Fold panels **B** flat onto panel **C**.



3. Lift panels **B & C** 90 degrees into box.



4. Flip the box over, and lift panels **B** to the sides of the box, so that the handle holes align on the box.



5. Push panel **A** into the bottom of the box, onto panel **C**.

### LID

