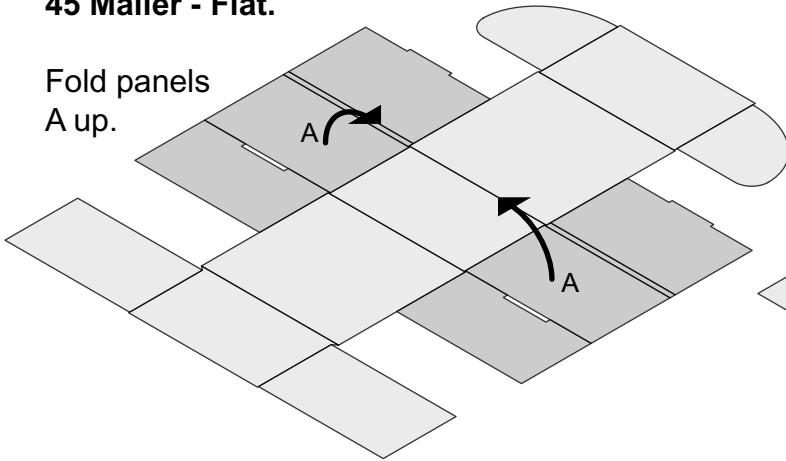
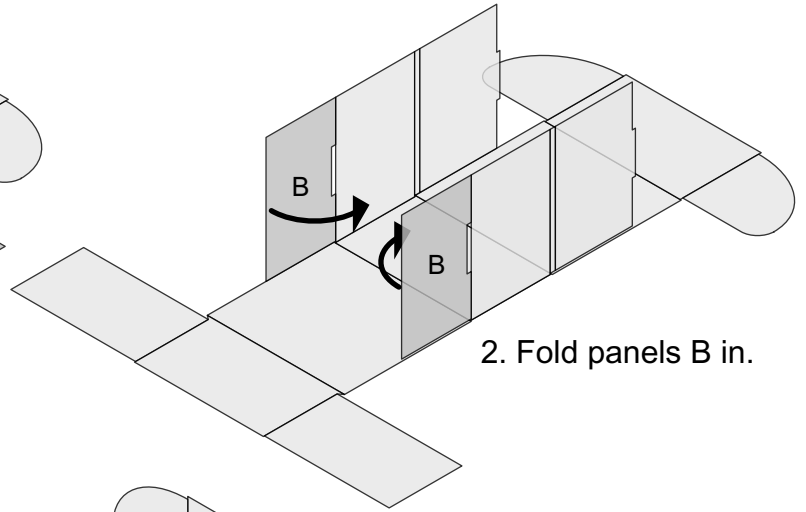


### 45 Mailer - Flat.

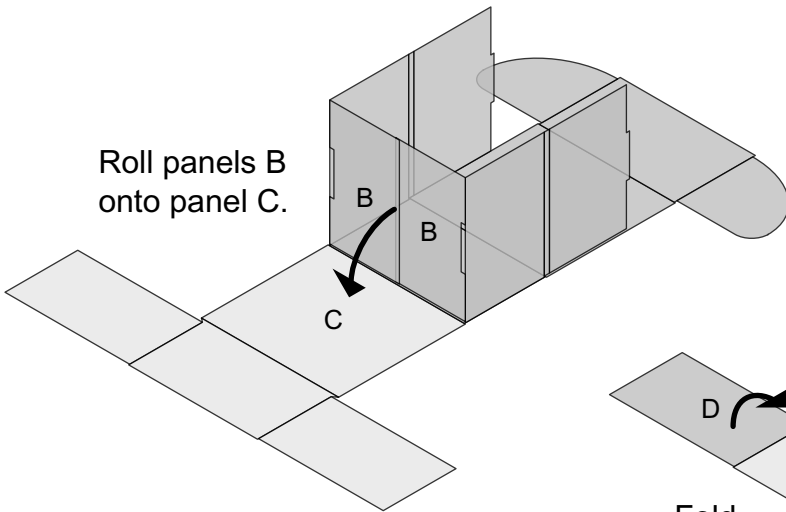
Fold panels  
A up.



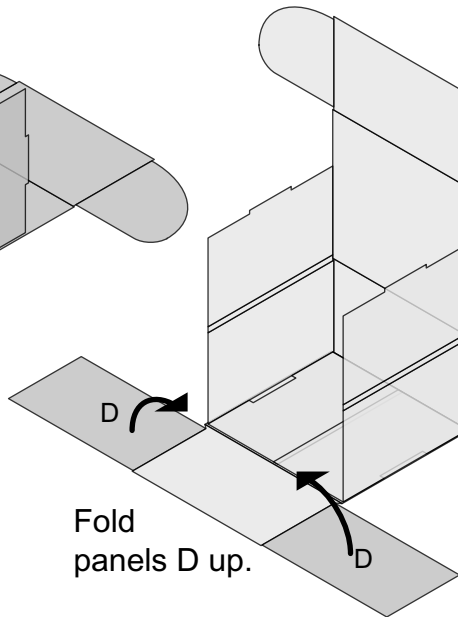
2. Fold panels B in.



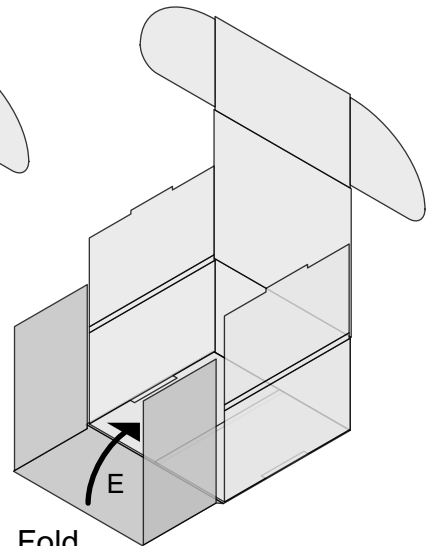
Roll panels B  
onto panel C.



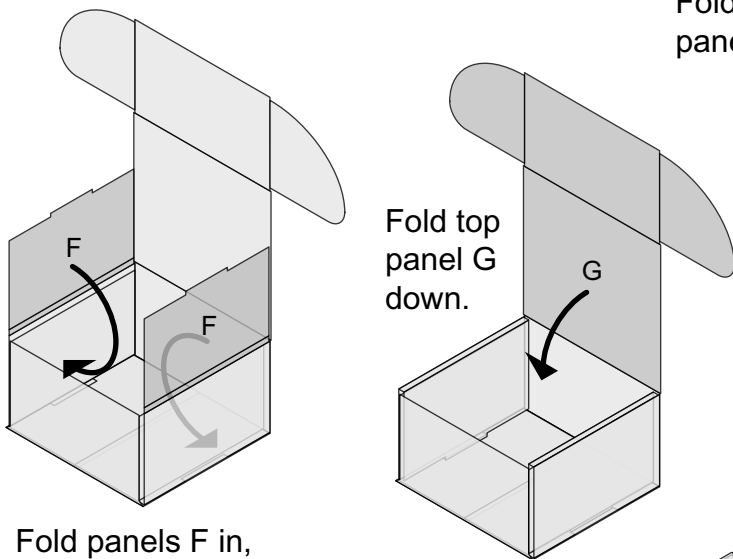
Fold panels D  
up.



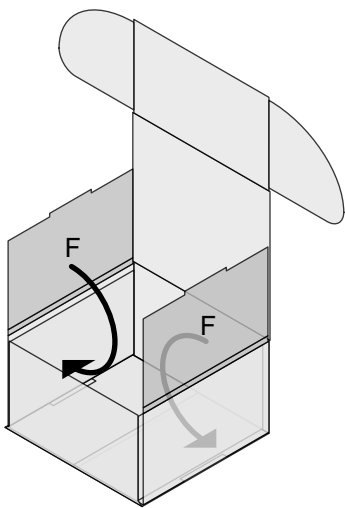
Fold  
panel E up.



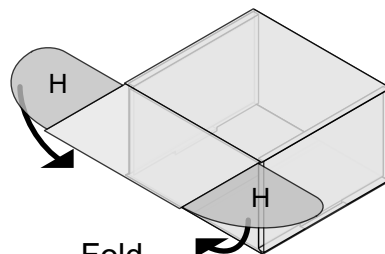
Fold top  
panel G  
down.



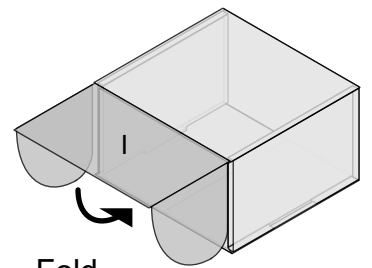
Fold panels F in,  
and tuck into slots.



Fold  
panels H  
down.



Fold  
panel I  
down & tuck  
panels H into slots.



Finished box.

